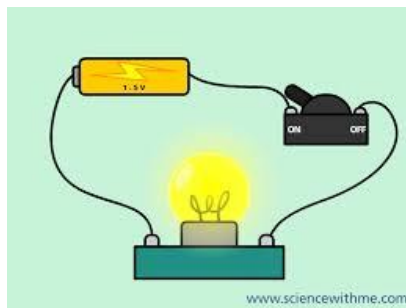
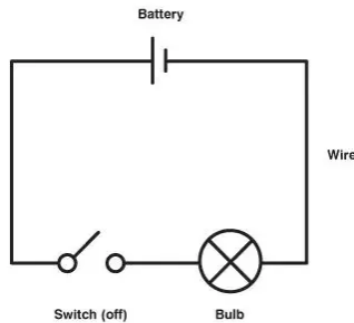


Year 6 Knowledge Organiser Science - Electricity

Are you able to use these words in context?

Component
Cells
Circuit
Complete
Conductor
Insulator
Amps
Voltage
Current
Symbol
Appliance
Filament
LED - light emitting diode



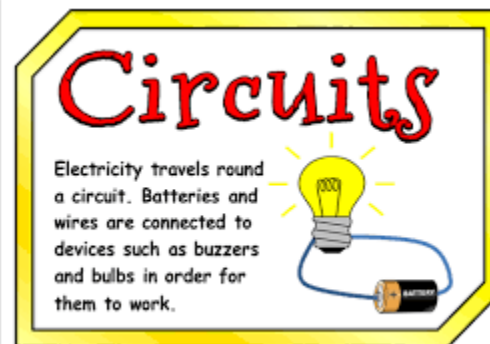
What do we need to know?

How can we make a bulb light up in a simple circuit?

How and why can we make a bulb brighter or a buzzer louder?

What is a switch and how does it work?

What symbols can we use to create circuit diagrams?



Extra Mile

Think about electrical toys you may have at home - how are they built; how do they work? What electrical components do they have?

Create a poster or presentation about electrical safety.

Use the following website to create circuits at home:

<http://powerup.ukpowernetworks.co.uk/powerup/en/under-11/circuits/circuit-builder/>